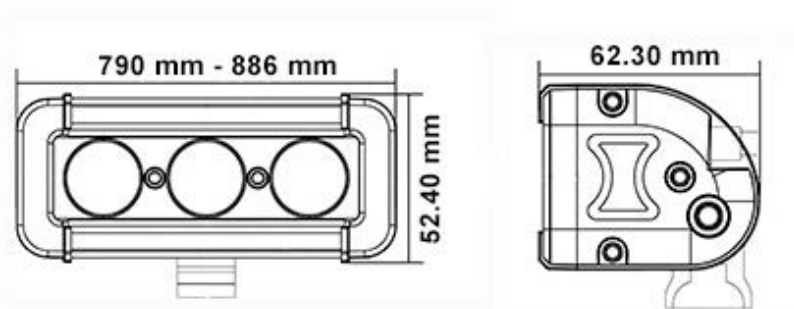




Chaser Rear LED System

Chaser Bar For Xtreme Enthusiast



The Vision X Chaser Bar provides high output color LEDs in a sleek, low profile housing with a bright flood beam pattern. This rear mounted light bar can be configured as your running and brake lights using standard Red, Amber and White LED's.

The Chaser Bar comes in two sizes to accommodate stock (28") and after-market(35") roll cages and is available with or without the adjustable Flasher Module.

Technical Information

PART#	Beam Pattern	Raw Lumens	Dimensions	Weight	Wattage
XIL-CBSR21	60° Extra Wide	5.688 lm(ea)	686/52.40/62.30 mm	2.74 kg	69 Watt
XIL-CBSR27	60° Extra Wide	7.056 lm(ea)	886/52.40/62.30 mm	3.48 kg	87 Watt
XIL-CBSR21NF*	60° Extra Wide	5.688 lm(ea)	686/52.40/62.30 mm	2.74 kg	69 Watt
XIL-CBSR27NF*	60° Extra Wide	7.056 lm(ea)	886/52.40/62.30 mm	3.48 kg	87 Watt

*Flasher Not Included



Low Profile Xmitter Prime Xtreme Features

- ▶ Weatherproof Deutsch Connector with Plug-and-Play Harness
- ▶ Integrated Electronic Thermal Management
- ▶ Billet Clamp Tube Frame Mounts Available
- ▶ Extruded 6061 Aluminum Housing
- ▶ Advanced Heat Sink Design
- ▶ Polycarbonate Lens



©2011-2018 **Vision X Europe**
188/5, Rue du Cerf - 1332 Genval - Belgium
Ph: +32(0)2 652 21 52 - info@visionx-europe.com